

VerticalBox



System accessories Page 537

Compact 482.6 mm (19") enclosure for small networks

- May be used as wall-mounted, under-desk or desktop enclosure
- 482.6 mm (19") level, front and rear
- Free access from three sides for interior installation
- Freely selectable door hinging
- Passive ventilation with vent slots
- Rear panel prepared to accommodate a fan
- Horizontal 10 U may be used by installing 482.6 mm (19") mounting angles

Material:

- Sheet steel
- Viewing window: Single-pane safety glass, 3 mm

Surface finish:

Powder-coated

Colour:

RAL 7035

Supply includes:

- Enclosure with glazed door
- Side panels (1 x fixed, 1 x slot-in) with vent slots
- Knockouts for cable entry via roof or base
- Slot-in rear panel with knockouts for cable entry and fan accommodation
- 482.6 mm (19") mounting level, 5 U, front and rear, depth-variable, distance between levels 434 – 489 mm
- Security lock 12321 on the door, side and rear panel
- 4 plastic feet, self-adhesive

Detailed drawings:

Available on the Internet.

U	Packs of	5	Page
Width mm		300	
Height mm		540	
Depth mm		600	
Model No. DK	1	7501.000	
Accessories			
Mounting kit for VerticalBox, hinged mounting plate 350 x 484 mm	1	7501.100	757
482.6 mm (19") mounting angles, 12 U (10 U usable) ¹⁾	2	7502.203	744
Brush strip for cut-out openings	2 x 1 m	7072.200	708
Wall mounting bracket, 10 mm	4	2508.010	627
Wall mounting bracket, 40 mm	4	2503.010	627
Fan expansion kit, 230 V AC, 50/60 Hz, 108/125 m ³ /h, air throughput, unimpeded airflow	1 set	7980.100	404
Blanking panel, 482.6 mm (19"), 1 U, RAL 7035	2	7151.035	761
Cable management panel, 482.6 mm (19"), 1 U, RAL 7035, with 5 cable shunting rings 40 x 50 mm	1	7257.200	729
482.6 mm (19") socket strip, 7-way, with rocker switch	1	7240.220	695
Cable entry panel, 482.6 mm (19"), 1 U	1	7140.535	732

¹⁾ For mounting at the side of the VerticalBox. With these mounting angles, instead of 5 U vertically at the side, up to 10 U may be used horizontally if only a minimal installation depth is required. Infinitely depth-variable positioning.



System assembly Page 537

For use as a wall-mounted and floor-standing enclosure. Small package – big performance. Time-saving, flexible, clever

- For flexible use as a wall-mounted or floor-standing enclosure
- Maximum width and depth of 700 mm creates plenty of space for use as a patch distributor
- Toolless quick assembly
- System assembly on the open 482.6 mm (19") frame

Material:

- Sheet steel
- Viewing window: Single-pane safety glass, 3 mm

Surface finish:

Powder-coated

Colour:

RAL 7035

Note:

- Max. installation depth: D – 112 mm
- Max. distance between two 482.6 mm (19") levels: D – 126 mm

Supply includes:

- Flat-packed enclosure
- 1 wall section
- 2 basic supports
- 2 roof/base plates, with cut-outs for cable entry, with brush strips
- 2 mounting angles, 482.6 mm (19") (for 6 U and 9 U)
- 1 mounting frame 19" (from 12 U)

- 4 levelling feet (from 12 U),
- 2 side panels, lockable,
- 1 glazed door, lockable, security lock 3524 E, door hinge point selectable
- Connection components for toolless, fast assembly
- Earthing kit for system-compatible earthing of all enclosure parts

Detailed drawings:

Available on the Internet.

Photo shows a configuration example with equipment not included in the scope of supply.

With 482.6 mm (19") mounting angles

U	Packs of	6	6	9	9	Page
Width mm		600	600	600	600	
Height mm		358	358	492	492	
Depth mm		400	600	400	600	
Model No. DK	1	7507.000	7507.100	7507.010	7507.110	
Accessories						
482.6 mm (19") mounting angles as second mounting level	2	7507.706	7507.706	7507.709	7507.709	744
Levelling feet	4	7507.740	7507.740	7507.740	7507.740	556
Cover plates for fan panels	6	7507.760	7507.760	7507.760	7507.760	404
Earth rail	1	7113.000	7113.000	7113.000	7113.000	692
C rail for cable clamping	1	7016.140	7016.140	7016.140	7016.140	722
T-head rail for cable clamping	1	7016.150	7016.150	7016.150	7016.150	722
Fan motor, 230 V AC, 50/60 Hz, 117/135 m³/h, air throughput, unimpeded airflow	1	7980.100	7980.100	7980.100	7980.100	404
Fan motor, 48 V DC, 184 m³/h, air throughput, unimpeded airflow	1	7980.148	7980.148	7980.148	7980.148	404
Enclosure internal thermostat	1	3110.000	3110.000	3110.000	3110.000	476
Cable management panel, 1 U, 5 cable shunting rings 40 x 50 mm	1	7257.200	7257.200	7257.200	7257.200	729
Component shelf 2 U, static installation, depth 250 mm	1	7119.250	7119.250	7119.250	7119.250	675
Component shelf 2 U, static installation, depth 400 mm	1	–	7119.400	–	7119.400	675
Component shelf 1 U, complete set, pull-out, depth 500 mm	1 set	–	7000.625	–	7000.625	674
Base/plinth	1	–	7507.750	–	7507.750	553

FlatBox

With 482.6 mm (19") mounting frame

U	Packs of	12	12	15	15	18	21	Page
Width mm		600	600	600	700	700	700	
Height mm		625	625	758	758	892	1025	
Depth mm		400	600	400	700	700	700	
Model No. DK	1	7507.020	7507.120	7507.030	7507.200	7507.210	7507.220	
Accessories								
482.6 mm (19") mounting angles as second mounting level	2	7507.712	7507.712	7507.715	7507.715	7507.718	7507.721	744
Cover plates for fan panels	6	7507.760	7507.760	7507.760	7507.760	7507.760	7507.760	404
Earth rail	1	7113.000	7113.000	7113.000	7113.000	7113.000	7113.000	692
C rail for cable clamping	1	7016.140	7016.140	7016.140	7016.140	7016.140	7016.140	722
T-head rail for cable clamping	1	7016.150	7016.150	7016.150	7016.150	7016.150	7016.150	722
Fan motor, 230 V AC, 50/60 Hz, 117/135 m³/h, air throughput, unimpeded airflow	1	7980.100	7980.100	7980.100	7980.100	7980.100	7980.100	404
Fan motor, 48 V DC, 184 m³/h, air throughput, unimpeded airflow	1	7980.148	7980.148	7980.148	7980.148	7980.148	7980.148	404
Enclosure internal thermostat	1	3110.000	3110.000	3110.000	3110.000	3110.000	3110.000	476
Cable management panel, 1 U, 5 cable shunting rings 40 x 50 mm	1	7257.200	7257.200	7257.200	7257.200	7257.200	7257.200	729
Component shelf 2 U, static installation, depth 250 mm	1	7119.250	7119.250	7119.250	7119.250	7119.250	7119.250	675
Component shelf 2 U, static installation, depth 400 mm	1	–	7119.400	–	7119.400	7119.400	7119.400	675
Component shelf 1 U, complete set, pull-out, depth 500 mm	1 set	–	7000.625	–	7000.625	7000.625	7000.625	674
Base/plinth	1	–	7507.750	–	7507.755	7507.755	7507.755	553





System accessories Page 537

Wall-mounted enclosure with removable cover for perfect handling during installation and maintenance.

Material:

- Wall mounting plate with mounting brackets: Sheet steel, 2.0 mm
- Enclosure cover: Sheet steel, 1.0 mm
- Door: Sheet steel door or glazed door with sheet steel frame and single-pane safety glass, 3 mm

Surface finish:

Enclosure: Powder-coated

Colour:

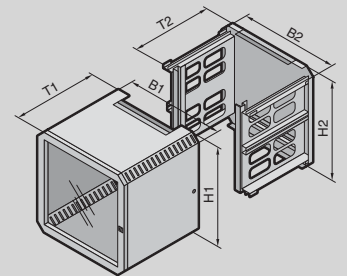
RAL 7035

Supply includes:

- Wall section:
- Pre-configured mounting bracket
 - Brush strip for cable entry at the bottom/top
 - Cable clamp rail
 - 482.6 mm (19") mounting angles, fully depth adjustable

Enclosure cover:

- Base and cover tray with vent slots
- Brush strip for cable entry at the top/bottom
- 2 side security locks
- Sheet steel door or glazed door with security lock 12321
- Version with Ergoform-S lock system, may optionally be retrofitted with semi-cylinder



Detailed drawings:

Available on the Internet.

Photo shows a configuration example with equipment not included in the scope of supply.

With glazed door

U	Packs of	6	6	6	9	9	12	12	12	12	Page	
Enclosure cover	Width (B1) mm	600	600	600	600	600	600	600	600	600		
	Height (H1) mm	362	362	362	495	495	628	628	628	628		
	Depth (T1) mm	300	400	600	400	600	400	500	600	600		
Wall section	Width (B2) mm	595	595	595	595	595	595	595	595	595		
	Height (H2) mm	355	355	355	488	488	621	621	621	621		
	Max. installation depth (T2) mm	247	347	547	347	547	347	447	547	547		
Model No. DK	1	7502.013	7502.014	7502.016	7502.024	7502.026	7502.034	7502.035	7502.036	7502.436¹⁾		
Accessories												
Mounting angles, 482.6 mm (19")	2	-	-	-	-	-	7502.203	7502.203	7502.203	7502.203	744	
Solid gland plate	2	7502.310	7502.310	7502.310	7502.310	7502.310	7502.310	7502.310	7502.310	7502.310	707	
Wall mounting bracket, 10 mm	4	2508.010	2508.010	2508.010	2508.010	2508.010	2508.010	2508.010	2508.010	2508.010	627	
Wall mounting bracket, 40 mm	4	2503.010	2503.010	2503.010	2503.010	2503.010	2503.010	2503.010	2503.010	2503.010	627	
Combination rails for enclosure width	6	7502.304	7502.304	7502.304	7502.304	7502.304	7502.304	7502.304	7502.304	7502.304	718	
Combination rails for enclosure depth	300/400 mm	6	7502.302	7502.302	7502.302	7502.302	7502.302	7502.302	7502.302	7502.302	718	
	500/600 mm	6	7502.304	7502.304	7502.304	7502.304	7502.304	7502.304	7502.304	7502.304	718	
Slide rails for the enclosure depth	300 mm	10	4530.000	4530.000	4530.000	4530.000	4530.000	4530.000	4530.000	4530.000	751	
	400 mm	2	4531.000	4531.000	4531.000	4531.000	4531.000	7492.300 ²⁾	7492.300 ²⁾	7492.300 ²⁾	7492.300 ²⁾	750/751
	500/600 mm		4531.000	4531.000	4531.000	4531.000	4531.000	7492.400 ²⁾	7492.400 ²⁾	7492.400 ²⁾	7492.400 ²⁾	750/751
Earthing kit	1	7502.240	7502.240	7502.260	7502.240	7502.260	7502.240	7502.260	7502.260	7502.260	691	
Quick-release fastener	2	7502.220	7502.220	7502.220	7502.220	7502.220	7502.220	7502.220	7502.220	7502.220	612	

¹⁾ With Ergoform-S lock system for semi-cylinder, for combining with quick-release fastener QB 7502.220.

²⁾ Additional mounting angles required at the rear.

QuickBox

With glazed door

U		Packs of	15	15	15	15	18	18	21	21	Page
Enclosure cover	Width (B1) mm		600	600	600	600	600	600	600	600	
	Height (H1) mm		762	762	762	762	895	895	1028	1028	
	Depth (T1) mm		400	500	600	600	400	600	400	600	
Wall section	Width (B2) mm		595	595	595	595	595	595	595	595	
	Height (H2) mm		755	755	755	755	888	888	1021	1021	
	Max. installation depth (T2) mm		347	447	547	547	347	547	347	547	
Model No. DK		1	7502.044	7502.045	7502.046	7502.446¹⁾	7502.054³⁾	7502.056	7502.064³⁾	7502.066	

Accessories											
Mounting angles, 482.6 mm (19°)	2	7502.204	7502.204	7502.204	7502.204	7502.205	7502.205	7502.206	7502.206	744	
Solid gland plate	2	7502.310	7502.310	7502.310	7502.310	7502.310	7502.310	7502.310	7502.310	707	
Wall mounting bracket, 10 mm	4	2508.010	2508.010	2508.010	2508.010	2508.010	2508.010	2508.010	2508.010	627	
Wall mounting bracket, 40 mm	4	2503.010	2503.010	2503.010	2503.010	2503.010	2503.010	2503.010	2503.010	627	
Combination rails for enclosure width	6	7502.304	7502.304	7502.304	7502.304	7502.304	7502.304	7502.304	7502.304	718	
Combination rails for enclosure depth	6	300/400 mm	7502.302	7502.302	7502.302	7502.302	7502.302	7502.302	7502.302	718	
		500/600 mm	7502.304	7502.304	7502.304	7502.304	7502.304	7502.304	7502.304	718	
Slide rails for the enclosure depth	400 mm	2	7492.300 ²⁾	7492.300 ²⁾	7492.300 ²⁾	7492.300 ²⁾	7492.300 ²⁾	7492.300 ²⁾	7492.300 ²⁾	750/751	
	500/600 mm	2	7492.400 ²⁾	7492.400 ²⁾	7492.400 ²⁾	7492.400 ²⁾	7492.400 ²⁾	7492.400 ²⁾	7492.400 ²⁾	750/751	
Earthing kit	1	7502.240	7502.260	7502.260	7502.260	7502.240	7502.260	7502.240	7502.260	691	
Quick-release fastener	2	7502.220	7502.220	7502.220	7502.220	7502.220	7502.220	7502.220	7502.220	612	

¹⁾ With Ergoform-S lock system for semi-cylinder F, for combining with quick-release fastener QB 7502.220.

²⁾ Additional mounting angles required at the rear.

³⁾ Extended delivery times.

With sheet steel door

U		Packs of	6	9	9	12	15	15	21	Page
Enclosure cover	Width (B1) mm		600	600	600	600	600	600	600	
	Height (H1) mm		362	495	495	628	762	762	1028	
	Depth (T1) mm		400	400	600	600	400	600	600	
Wall section	Width (B2) mm		595	595	595	595	595	595	595	
	Height (H2) mm		355	488	488	621	755	755	1021	
	Max. installation depth (T2) mm		347	347	547	547	347	547	547	
Model No. DK		1	7502.114	7502.124	7502.126	7502.136	7502.144³⁾	7502.146	7502.166³⁾	

Accessories											
Mounting angles, 482.6 mm (19°)	2	-	-	-	7502.203	7502.204	7502.204	7502.206	744		
Solid gland plate	2	7502.310	7502.310	7502.310	7502.310	7502.310	7502.310	7502.310	707		
Wall mounting bracket, 10 mm	4	2508.010	2508.010	2508.010	2508.010	2508.010	2508.010	2508.010	627		
Wall mounting bracket, 40 mm	4	2503.010	2503.010	2503.010	2503.010	2503.010	2503.010	2503.010	627		
Combination rails for enclosure width	6	7502.304	7502.304	7502.304	7502.304	7502.304	7502.304	7502.304	718		
Combination rails for enclosure depth	6	300/400 mm	7502.302	7502.302	7502.302	7502.302	7502.302	7502.302	718		
		500/600 mm	7502.304	7502.304	7502.304	7502.304	7502.304	7502.304	718		
Slide rails for the enclosure depth	300 mm	10	4530.000	4530.000	4530.000	4530.000	4530.000	4530.000	751		
	400 mm	10	4531.000	4531.000	4531.000	7492.300 ²⁾	7492.300 ²⁾	7492.300 ²⁾	750/751		
	500/600 mm	2	4531.000	4531.000	4531.000	7492.400 ²⁾	7492.400 ²⁾	7492.400 ²⁾	750/751		
Earthing kit	1	7502.240	7502.240	7502.260	7502.260	7502.240	7502.260	7502.260	691		
Quick-release fastener	2	7502.220	7502.220	7502.220	7502.220	7502.220	7502.220	7502.220	612		

²⁾ Additional mounting angles required at the rear.

³⁾ Extended delivery times.



System accessories Page 537

Wall-mounted enclosure with optimum use of the interior space

thanks to side installation of the 482.6 mm (19") components. Status monitoring via side viewing window.

Material:

- Wall mounting plate with mounting brackets: Sheet steel, 2.0 mm
- Enclosure cover: Sheet steel, 1.0 mm, with single-pane safety glass at the side, 3 mm

Surface finish:

Powder-coated

Colour:

RAL 7035

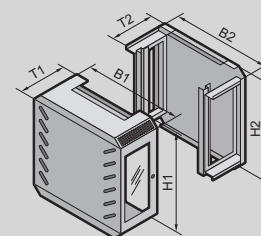
Supply includes:

Wall section:

- With pre-configured 482.6 mm (19") mounting brackets for accommodating equipment at the side
- Brush strip for cable entry at the bottom and top

Enclosure cover:

- Side vent slots to support passive climate control
- The enclosure is secured via two security locks positioned at the sides



Detailed drawings:

Available on the Internet.

Photo shows a configuration example with equipment not included in the scope of supply.

With vertical 482.6 mm (19") level

U	Packs of	3	6	Page
Enclosure cover	Width (B1) mm	600	600	
	Height (H1) mm	631	631	
	Depth (T1) mm	210	360	
Wall section	Width (B2) mm	595	595	
	Height (H2) mm	621	621	
	Depth (T2) mm	198	348	
Model No. DK	1	7502.630¹⁾	7502.660¹⁾	
Accessories				
Gland plates, solid	2	7502.310	7502.310	707
Wall mounting bracket, 10 mm	4	2508.010	2508.010	627
Wall mounting bracket, 40 mm	4	2503.010	2503.010	627
Combination rails for vertical mounting on the QuickBox wall section	6	7502.304	7502.304	718
Combination rails for horizontal mounting on the QuickBox wall section	6	7502.304	7502.304	718
Mounting angles, 482.6 mm (19") for front mounting, 12 U	2	7502.203	7502.203	744

¹⁾ Extended delivery times.

Wall-mounted enclosures EL, 3-part



System accessories Page 537 Socket strips Page 695 Wall mounting bracket Page 627 Cable clamps Page 719

Wall-mounted enclosure with optimum accessibility thanks to hinged part.

Material:

- Wall and hinged part: Sheet steel, 1.5 mm
- Viewing window: Single-pane safety glass, 3 mm

Surface finish:

Powder-coated

Colour:

- Wall and hinged part: RAL 7035
- Glazed door: RAL 7035/7015 (slate grey)

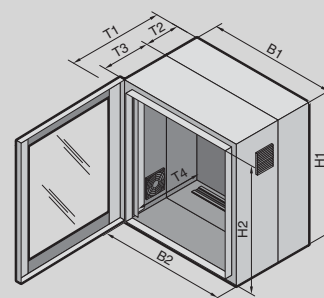
Supply includes:

- Wall section
- Hinged part with 25 mm pitch pattern of holes in the front and rear frame
- Designer glazed door

- Mini comfort handle for 3 – 15 U
- Comfort handle and 2-point lock for 18 – 21 U
- Including security lock 3524 E
- Product-specific supply scope, see table

Detailed drawings:

Available on the Internet.



Depth 573/673 mm, pre-configured

U	Packs of	9	9	15	15	21	21	Page
Width (B1) mm		600	600	600	600	600	600	
Height (H1) mm		478	478	746	746	1012	1012	
Depth (T1) mm		573	673	573	673	573	673	
Clearance width (B2) mm		502	502	502	502	502	502	
Clearance height (H2) mm		415	415	683	683	949	949	
Depth of wall section (T2) mm		135	135	135	135	135	135	
Depth of hinged part (T3) mm		416	516	416	516	416	516	
Max. installation depth (T4) mm		520	620	520	620	520	620	
Load capacity of hinged part (kg, static)		45	45	75	75	75	75	
Protection category IP 54 to IEC 60 529 when using solid gland plates SZ 2235.135		■	■	■	■	■	■	
Model No. DK	1	7709.735	7709.535	7715.735	7715.535	7721.735	7721.535	

Product-specific supply scope

Walling section:	Gland plate, solid, top	1	■	■	■	■	■	■
	Gland plate with brush insert, bottom	1	■	■	■	■	■	■
	Vertical punched rails	2	■	■	■	■	■	■
	Horizontal C rail	1	■	■	■	■	■	■
Hinged part:	482.6 mm (19") mounting angles, fully depth adjustable	2	■	■	■	■	■	■
	Side outlet filters left and right	2	■	■	■	■	■	■
	Earth rail with star earthing	1 set	■	■	■	■	■	■
	Wall mounting bracket, 10 mm	4	■	■	■	■	■	■

Accessories

Gland plate for metric cable glands	1	7705.235	7705.235	7705.235	7705.235	7705.235	7705.235	707
Fan expansion kit, 230 V	1	7980.100	7980.100	7980.100	7980.100	7980.100	7980.100	404
Spare filter mats	5	3322.700	3322.700	3322.700	3322.700	3322.700	3322.700	483
Wall mounting bracket, 40 mm	4	2503.010	–	2503.010	–	2503.010	–	627
Lock inserts, type F								see page 609
Component shelf 2 U, static installation or fully extendible, 300 mm deep	1	7148.035	7148.035	7148.035	7148.035	7148.035	7148.035	673
Component shelf 2 U, static installation, 250 mm deep	1	7119.250	7119.250	7119.250	7119.250	7119.250	7119.250	675
Cable management panel, 1 U, 5 cable shunting rings 40 x 50 mm	1	7257.200	7257.200	7257.200	7257.200	7257.200	7257.200	729

■ Included with the supply.

Wall-mounted enclosures EL, 3-part



System accessories Page 537 **Socket strips** Page 695 **Wall mounting bracket** Page 627 **Earthing** Page 689 **Cable clamps** Page 719

Wall-mounted enclosure with optimum accessibility thanks to hinged part.

Material:

- Wall and hinged part: Sheet steel, 1.5 mm
- Viewing window: Single-pane safety glass, 3 mm

Surface finish:

Powder-coated

Colour:

- Wall and hinged part: RAL 7035
- Glazed door: RAL 7035/7015 (slate grey)

Protection category:

IP 55 to IEC 60 529

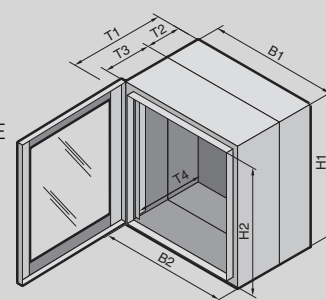
Supply includes:

- Wall section
- Hinged part with 25 mm pitch pattern of holes in the front and rear frame

- Designer glazed door
- Mini comfort handle for 3 – 15 U
- Comfort handle and 2-point lock for 18 – 21 U
- Including security lock 3524 E
- Product-specific supply scope, see table

Detailed drawings:

Available on the Internet.



Depth 473 mm, with punched rails

U	Packs of	6	9	12	15	18	21	Page	
Width (B1) mm		600	600	600	600	600	600		
Height (H1) mm		345	478	612	746	878	1012		
Depth (T1) mm		473	473	473	473	473	473		
Clearance width (B2) mm		502	502	502	502	502	502		
Clearance height (H2) mm		282	415	549	683	815	949		
Depth of wall section (T2) mm		135	135	135	135	135	135		
Depth of hinged part (T3) mm		316	316	316	316	316	316		
Max. installation depth (T4) mm		420	420	420	420	420	420		
Load capacity of hinged part (kg, static)		30	45	60	75	75	75		
Model No. DK	1	7706.135	7709.135	7712.135	7715.135	7718.135	7721.135		
Product-specific supply scope									
Wall section:	Gland plate, solid, top and bottom	2	■	■	■	■	■		
	Vertical punched rails	2	■	■	■	■	■		
	Horizontal C rail for cable clamping	1	■	■	■	■	■		
Hinged part:	482.6 mm (19") mounting angles, fully depth adjustable	2	■	■	■	■	■		
	Wall mounting bracket, 10 mm	4	■	■	■	■	■		
Accessories									
	Gland plate with brush insert	1	7705.035	7705.035	7705.035	7705.035	7705.035	708	
	Gland plate for metric cable glands	1	7705.235	7705.235	7705.235	7705.235	7705.235	707	
	Wall mounting bracket, 40 mm	4	2503.010	2503.010	2503.010	2503.010	2503.010	627	
	Lock inserts, type F		see page 609						
	Earth rail, horizontal	1	7113.000	7113.000	7113.000	7113.000	7113.000	692	
	Component shelf 2 U, static installation and fully extendible	1	7148.035	7148.035	7148.035	7148.035	7148.035	673	
	Component shelf 2 U, static installation, 250 mm deep	1	7119.250	7119.250	7119.250	7119.250	7119.250	675	
	Component shelf 1 U, static installation, 140 mm deep	1	7119.140	7119.140	7119.140	7119.140	7119.140	674	
	Cable management panel, 1 U, 5 cable shunting rings 40 x 50 mm	1	7257.200	7257.200	7257.200	7257.200	7257.200	729	

■ Included with the supply.

Wall-mounted enclosures EL, 3-part



System accessories Page 537 Socket strip Page 695 Wall mounting bracket Page 627 Cable clamps Page 719 Earthing Page 689

Wall-mounted enclosure with optimum accessibility thanks to hinged part.

Material:

- Wall and hinged part: Sheet steel, 1.5 mm
- Viewing window: Single-pane safety glass, 3 mm

Surface finish:

Powder-coated

Colour:

- Wall and hinged part: RAL 7035
- Glazed door: RAL 7035/7015 (slate grey)

Protection category:

IP 55 to IEC 60 529

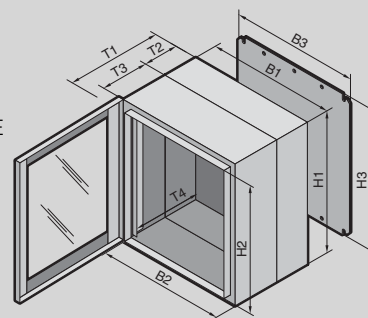
Supply includes:

- Wall section
- Hinged part with 25 mm pitch pattern of holes in the front and rear frame

- Designer glazed door
- Mini comfort handle for 3 – 15 U
- Comfort handle and 2-point lock for 18 – 21 U
- Including security lock 3524 E
- Product-specific supply scope, see table

Detailed drawings:

Available on the Internet.



Depth 373 mm, with mounting plate

U	Packs of	3	6	9	12	15	18	21	Page
Width (B1) mm		600	600	600	600	600	600	600	
Height (H1) mm		212	345	478	612	746	878	1012	
Depth (T1) mm		373	373	373	373	373	373	373	
Clearance width (B2) mm		502	502	502	502	502	502	502	
Clearance height (H2) mm		149	282	415	549	683	815	949	
Depth of wall section (T2) mm		135	135	135	135	135	135	135	
Depth of hinged part (T3) mm		216	216	216	216	216	216	216	
Max. installation depth (T4) mm		320	320	320	320	320	320	320	
Width of mounting plate (B3) mm		485	485	485	485	485	485	485	
Height of mounting plate (H3) mm		165	299	432	565	699	832	965	
Load capacity of hinged part (kg, static)		15	30	45	60	75	75	75	
Model No. EL	1	2243.605	2246.605	2249.605	2252.605	2255.605	2258.605	2261.605	

Product-specific supply scope

Wall section:	Gland plate, solid, top and bottom	2	■	■	■	■	■	■	
	Mounting plate supplied loose	1	■	■	■	■	■	■	
Hinged part:	482.6 mm (19") mounting angles	2	■	■	■	■	■	■	

Accessories

Wall mounting bracket, 10 mm	4	2508.010	2508.010	2508.010	2508.010	2508.010	2508.010	2508.010	627
Wall mounting bracket, 40 mm	4	2503.010	2503.010	2503.010	2503.010	2503.010	2503.010	2503.010	627
Gland plate with brush insert	1	7705.035	7705.035	7705.035	7705.035	7705.035	7705.035	7705.035	708
Gland plate for metric cable glands	1	7705.235	7705.235	7705.235	7705.235	7705.235	7705.235	7705.235	707
Cable glands		see page 709							
Lock inserts, type F		see page 609							
C rails	4	2238.000	2238.000	2238.000	2238.000	2238.000	2238.000	2238.000	655
Blanking plates, 482.6 mm (19")	3	see page 754							

■ Included with the supply.

Wall-mounted enclosures EL, 3-part

Depth 473 mm, with mounting plate

U	Packs of	3	6	9	12	15	18	21	Page
Width (B1) mm		600	600	600	600	600	600	600	
Height (H1) mm		212	345	478	612	746	878	1012	
Depth (T1) mm		473	473	473	473	473	473	473	
Clearance width (B2) mm		502	502	502	502	502	502	502	
Clearance height (H2) mm		149	282	415	549	683	815	949	
Depth of wall section (T2) mm		135	135	135	135	135	135	135	
Depth of hinged part (T3) mm		316	316	316	316	316	316	316	
Max. installation depth (T4) mm		420	420	420	420	420	420	420	
Width of mounting plate (B3) mm		485	485	485	485	485	485	485	
Height of mounting plate (H3) mm		165	299	432	565	699	832	965	
Load capacity of hinged part (kg, static)		15	30	45	60	75	75	75	
Model No. EL	1	2253.605	2256.605	2259.605	2262.605	2265.605	2268.605	2271.605	
Product-specific supply scope									
Wall section:	Gland plate, solid, top and bottom	2	■	■	■	■	■	■	■
	Mounting plate supplied loose	1	■	■	■	■	■	■	■
Hinged part:	482.6 mm (19") mounting angles	2	■	■	■	■	■	■	■
Accessories									
Wall mounting bracket, 10 mm	4	2508.010	2508.010	2508.010	2508.010	2508.010	2508.010	2508.010	627
Wall mounting bracket, 40 mm	4	2503.010	2503.010	2503.010	2503.010	2503.010	2503.010	2503.010	627
Gland plate with brush insert	1	7705.035	7705.035	7705.035	7705.035	7705.035	7705.035	7705.035	708
Gland plate for metric cable glands	1	7705.235	7705.235	7705.235	7705.235	7705.235	7705.235	7705.235	707
Cable glands		see page 709							
Lock inserts, type F		see page 609							
Slide rails	10	2250.000	2250.000	2250.000	2250.000	2250.000	2250.000	2250.000	751
C rails	4	2239.000	2239.000	2239.000	2239.000	2239.000	2239.000	2239.000	655
Blanking plates, 482.6 mm (19")	3	see page 754							

■ Included with the supply.



Rittal Great Britain

RITTAL Limited
 Braithwell Way · Hellaby Industrial Estate
 Hellaby · Rotherham · S Yorks S66 8QY
 Phone: +44 (0) 1709 704000
 Fax: +44 (0) 1709 701217
 E-mail: information@rittal.co.uk
www.rittal.co.uk

Wall-mounted enclosures EL, 2-part



System accessories Page 537 **Captive nuts** Page 757 **Patch panel for copper technology** Page 759 **Socket strips** Page 695

Wall-mounted enclosure with optimum accessibility thanks to swing frame.

Material:

- Enclosure: Sheet steel, 1.5 mm
- Swing frame: Sheet steel
- Front door: Extruded aluminium section, acrylic glazing, 3 mm

Surface finish:

- Enclosure and swing frame: Primed and powder-coated
- Front door: Anodised

Colour:

- Enclosure and swing frame: RAL 7035
- Front door: Silver

Protection category:

IP 55 to IEC 60 529

Supply includes:

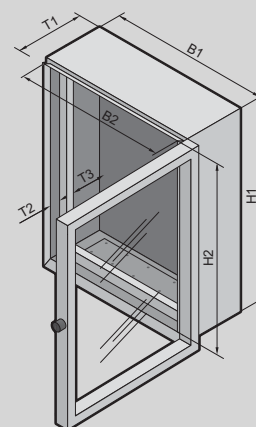
- Enclosure
- Front door
- Swing frame, 482.6 mm (19"), fitted
- Assembly parts

Approvals:

- TÜV
- Russian Maritime Register of Shipping
- Lloyds Register of Shipping
- VDE
- UL/cUL
- Bureau Veritas
- Germanischer Lloyd

Detailed drawings:

Available on the Internet.



Depth 369 mm, with swing frame

U	Packs of	6	11	14	Page
Width (B1) mm		600	600	600	
Height (H1) mm		380	600	760	
Depth (T1) mm		369	369	369	
Clearance width (B2) mm		537	537	537	
Clearance height (H2) mm		317	537	697	
Distance from glazed door to swing frame (T2) mm		67 – 97	67 – 97	67 – 97	
Maximum installation depth (T3) mm		270	270	270	
Model No. EL	1	1919.500	1920.500	1926.500	
Accessories					
Wall mounting bracket, 10 mm	4	2508.010	2508.010	2508.010	627
Wall mounting bracket, 40 mm	4	2503.010	2503.010	2503.010	627
Gland plates for metric cable glands	5	2563.010	2563.010	2563.010	704
Blanking plates, 482.6 mm (19")	3	see page 754			
Cable management panel, 482.6 mm (19"), 1 U, 5 cable shunting rings 40 x 50 mm	1	7257.200	7257.200	7257.200	729
Cable entry panel, 482.6 mm (19"), 1 U	1	7140.535	7140.535	7140.535	732

Standard swing frame with double-bit lock insert may be exchanged for 27 mm lock inserts, type A, see page 609.

Wall-mounted enclosures AE



System accessories Page 537 Socket strips Page 695 Captive nuts Page 757 Viewing panels Page 595

Wall-mounted enclosures for small networks with a high protection category.

Material:
Enclosure: Sheet steel

Surface finish:
– Enclosure: Powder-coated
– Mounting angles: Zinc-plated

Colour:
RAL 7035

Protection category:
See table.

Supply includes:

- Enclosure with hinged door
- Interchangeable door hinge
- Cam lock and double-bit insert
- Gland plate with brush strip for cable entry in the enclosure base
- Product-specific supply scope, see table

Approvals:
(except AE with pull-out frame)

- UL
- CSA
- Lloyds Register of Shipping
- Bureau Veritas
- TÜV
- VDE
- Germanischer Lloyd

Detailed drawings:
Available on the Internet.

With 482.6 mm (19") mounting angles

U	Packs of	8	13	16	Page
Width mm		600	600	600	
Height mm		380	600	760	
Depth mm		350	350	350	
Max. installation depth (T2) mm		310	310	310	
Protection category with gland plate for cable gland		IP 55 to IEC 60 529			
Model No. DK	1	7641.000	7643.000	7645.000	
Product-specific supply scope					
Mounting angles, 482.6 mm (19"), fully depth adjustable	2	■	■	■	
C rail, for cable clamping on the rear panel	1	■	■	■	
Metal bracket for optional accommodation of an earth rail or 482.6 mm (19") socket strip	1	■	■	■	
Cam locks	4	■ 1 x	■ 2 x	■ 2 x	
Accessories					
Gland plates in various versions	Size Qty.	5 1	5 1	5 1	704 – 708
Wall mounting bracket, 10 mm	4	2508.010	2508.010	2508.010	627
Wall mounting bracket, 40 mm	4	2503.010	2503.010	2503.010	627
Wall mounting bracket for external mounting	4	2508.100	2508.100	2508.100	627
Viewing window, 34 mm profile depth	1	2730.000	2731.000	2732.000	596
Viewing window, 60 mm profile depth	1	2760.000	2761.000	2762.000	596
Component shelf 2 U, static installation, 250 mm deep	1	7119.250	7119.250	7119.250	675
Earth rail	1	7113.000	7113.000	7113.000	692
Alternative lock systems		see page 599			

■ Included with the supply.

Wall-mounted enclosures AE



System accessories Page 537 **Socket strips** Page 695 **Captive nuts** Page 757 **Viewing panels** Page 595

Material:

- Enclosure: Sheet steel
- Viewing window: Single-pane safety glass, 3 mm

Surface finish:

- Enclosure: Powder-coated
- Pull-out frame: Stainless steel

Colour:

RAL 7035

Protection category:

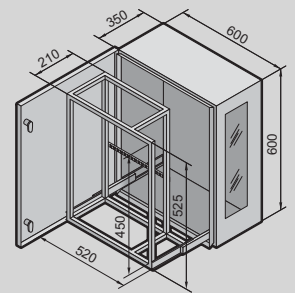
See table.

Supply includes:

- Enclosure with hinged door
- Cam lock and double-bit insert
- Gland plate with brush strip for cable entry in the enclosure base
- Product-specific supply scope, see table

Detailed drawings:

Available on the Internet.



With 482.6 mm (19") pull-out frame

Width mm	Packs of	600	Page
Height mm		600	
Depth mm		350	
L/h door hinge		■	
Cam locks		2	
Side installation, vertical		4 U	
Front installation, vertical and horizontal		10 U	
Protection category with gland plate for cable gland		IP 54 to IEC 60 529	
Model No. DK	1	7644.000	
Product-specific supply scope			
Pull-out frame attached to telescopic slides	1	■	
Outlet filter in enclosure base and on left-hand side	2	■	
Viewing window on right-hand side	1	■	
Cable clamp rail on rear wall	1	■	
Additional cable clamp rail for mounting on the pull-out frame		■	
Accessories			
Choice of gland plates	Size Qty.	5 1	704 – 708
Wall mounting bracket, 10 mm	4	2508.010	627
Wall mounting bracket for external mounting	4	2508.100	627
Wall mounting bracket, 40 mm	4	2503.010	627
Shelf	1	7644.400 ¹⁾	675
Component shelf, 1 U, 140 mm deep	1	7119.140	674
Earth rail, horizontal	1	7113.000	692
Fan expansion kit 230 V AC (only for use at the bottom)	1 set	7980.100	404
Fan expansion kit 48 V DC (only for use at the bottom)	1 set	7980.148	404
Spare filter mats	5	3322.700	483
Alternative lock systems		see page 599	

¹⁾ Extended delivery times.

Small fibre-optic distributors



System accessories Page 537

Layout of the small fibre-optic distributor:

- Mounting plate with variable accommodation for up to two splicing cassettes (cassette width variable from 92 to 120 mm) and integral anti-twist guard
- Dividing plate with comb strip for cable clamping, to cover the splicing cassette, and to accommodate 2 patch panels and patch panels for F-SMA, E-2000 ST couplings, E-2000 duplex, SC couplings and SC duplex couplings

- Cable entry via cable glands in knockouts (12 x PG 7 and 1 x PG 16). Assembled connectors fit through the knockouts (diameter of cut-outs: 12 x 12.5 mm and 2 x 22.5 mm). Additional sealing inserts are required to reduce the clamping range of the cable glands

Material:

- Enclosure and cover: Fibreglass-reinforced poly-carbonate
- Cover screws: Polyamide
- Insulating bungs: Polyamide
- Foamed-in PU seal

Colour:

RAL 7035

Protection category:

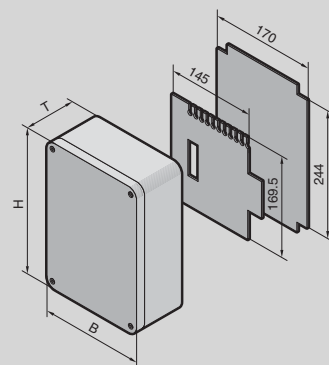
IP 66 to IEC 60 529

Supply includes:

- Enclosure with knockouts for cable glands
- Hinged cover with seal
- 2 cover screws, prepared for a lead seal
- Insulating bungs for wall mounting
- Mounting plate
- Dividing plate
- 12 cable glands PG 7
- 1 cable gland PG 16

Detailed drawings:

Available on the Internet.



Width (B) mm	Packs of	180	Page
Height (H) mm		254	
Depth (T) mm		90	
Number of fibres (when using patch panels)		1 – 24	
Model No. DK	1	7451.000	

Accessories					
	Locations per patch panel	Locations per enclosure			
Patch panel for ST couplings	12	24	2	7462.000	
Patch panel for SC, E-2000, E-2000 duplex couplings	12/6	24/12	2	7463.100	
Patch panel for SC duplex couplings	6	12	2	7463.200	
Wall mounting brackets			40	9583.000	31