

# CS STAINLESS STEEL

NEW



## CHARACTERISTICS

- structure and door made of AISI 304L stainless sheet steel (AISI 316L upon request), 15/10 thick (for cabinet width 800 the door is made of 20/10 stainless sheet steel)
- 25/10 sendzimir sheet steel mounting plate.

## DELIVERY

The cabinet is supplied complete with:

- 2 sendzimir profiles fixed to the door
- mounting plate
- closing system with rod system and double bar key, diameter 3 mm.

## CONFORMITY AND APPROVAL



RINA

## PROTECTION RATINGS

- IP 55 complying with IEC EN62208; EN60529
- NEMA 12 complying with UL508A; UL50
- impact resistance IK10 complying with IEC EN62208; EN50102.

Available on request.

# STX STAINLESS STEEL



## CHARACTERISTICS

Enclosure and door manufactured from AISI 304L 15/10 sheet steel (AISI 316L on request).

Flat mounting plate manufactured from 25/10 sendzimir sheet steel. Hinge in stainless steel.

## DELIVERY

Box complete with:

- mounting plate
- locking system body in zinc alloy and lever in stainless steel with  $\varnothing$  3mm double bar key
- package with hardware for earth connection and screws for mounting plate.

## CONFORMITY AND APPROVAL

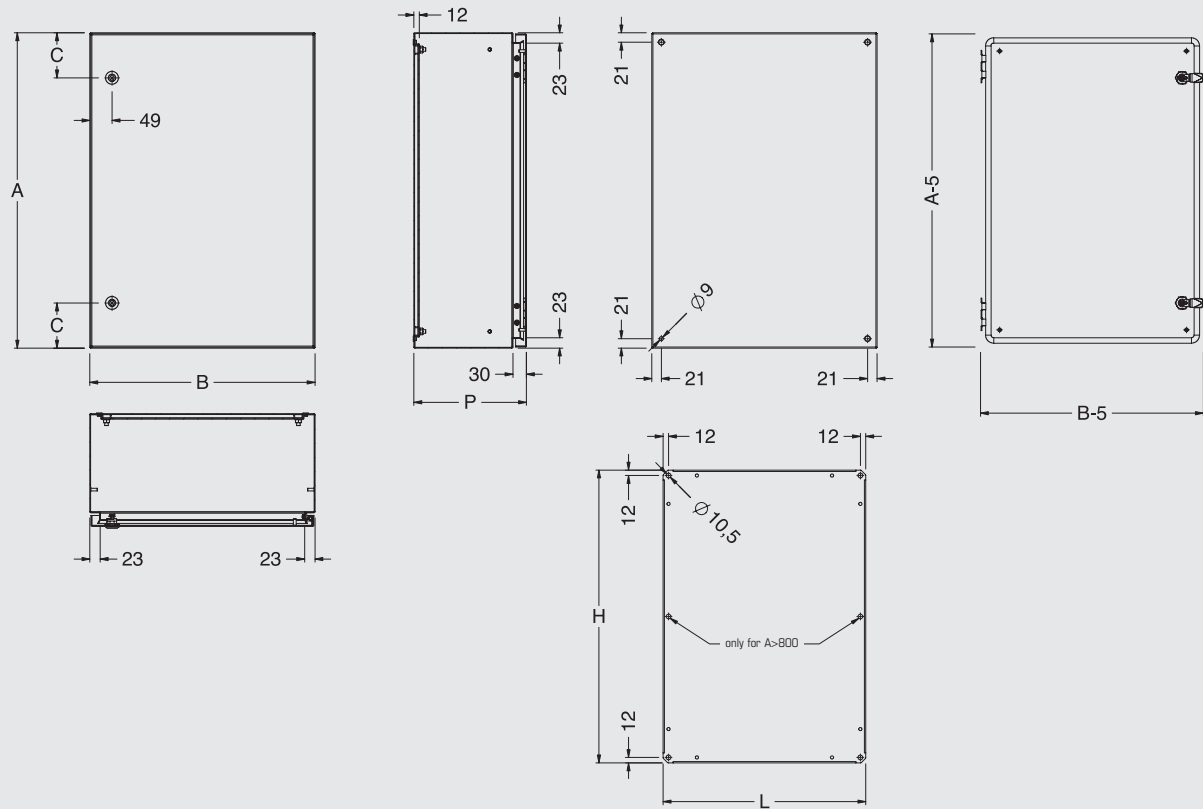


RINA

## PROTECTION RATINGS

- IP 66 complying with IEC EN62208; EN60529
- NEMA 4X complying with UL508A; UL50
- impact resistance IK10 complying with IEC EN62208; EN50102.

## STAINLESS STEEL BOX WITH SINGLE BLANK DOOR

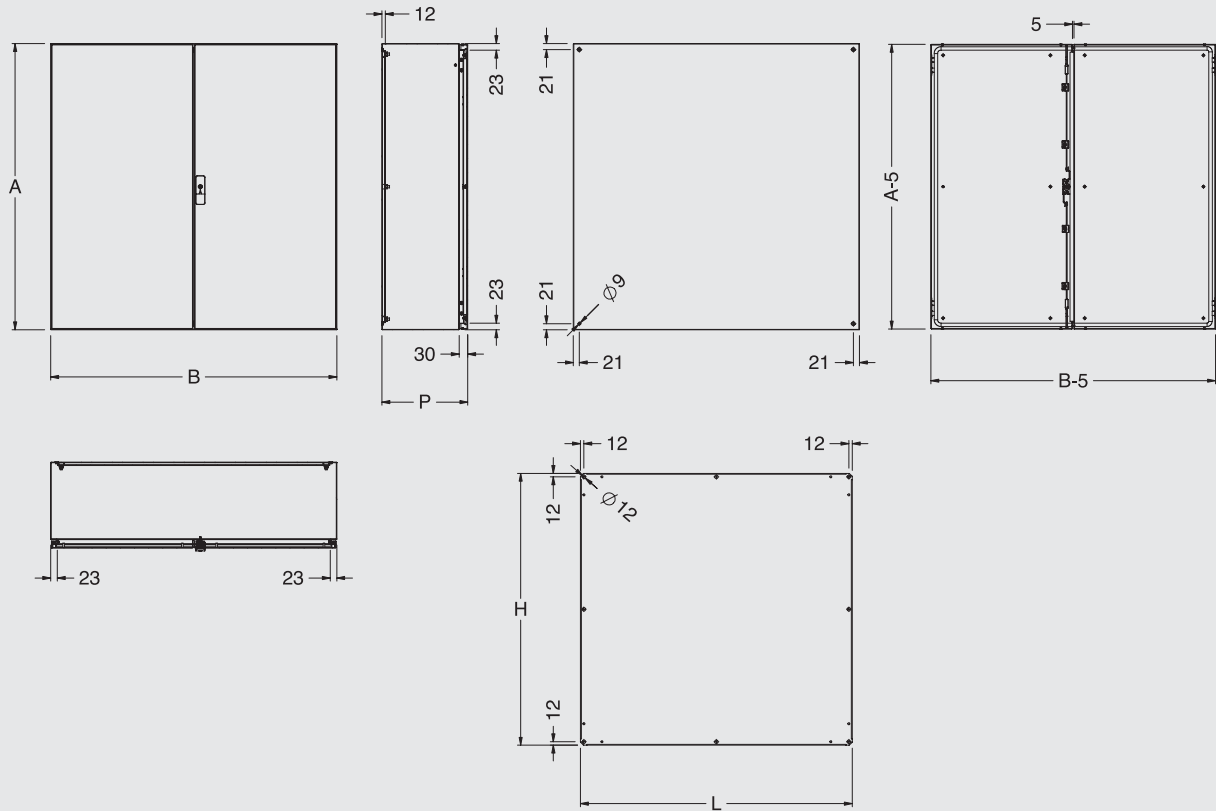


### STAINLESS STEEL BOX WITH SINGLE BLANK DOOR

STX CODE	BOX DIMENSIONS			MOUNTING PLATE DIMENSIONS			NR. OF LOCKS
	B	A	P	C	L	H	
STX2-315	200	300	150	150	150	250	1
STX3-415	300	400	150	200	250	350	1
STX3-420	300	400	200	200	250	350	1
STX4-315	400	300	150	150	350	250	1
STX4-420	400	400	200	200	350	350	1
STX4-520	400	500	200	250	350	450	1
STX4-620	400	600	200	100	350	550	2
STX5-520	500	500	200	250	450	450	1
STX5-725	500	700	250	100	450	650	2
STX6-420	600	400	200	200	550	350	1
STX6-620	600	600	200	100	550	550	2
STX6-625	600	600	250	100	550	550	2
STX6-630	600	600	300	100	550	550	2
STX6-820	600	800	200	100	550	750	2
STX6-825	600	800	250	100	550	750	2
STX6-830	600	800	300	100	550	750	2
STX6-1230	600	1200	300	200	550	1150	3
STX8-830	800	800	300	100	750	750	2
STX8-1030	800	1000	300	200	750	950	2
STX8-1230	800	1200	300	200	750	1150	3

To order a stainless steel enclosure in high grade AISI 316L, add the suffix "H" to the code. I.E.: STX2-315H.  
Available on request.

**STAINLESS STEEL BOX WITH DOUBLE BLANK DOOR**

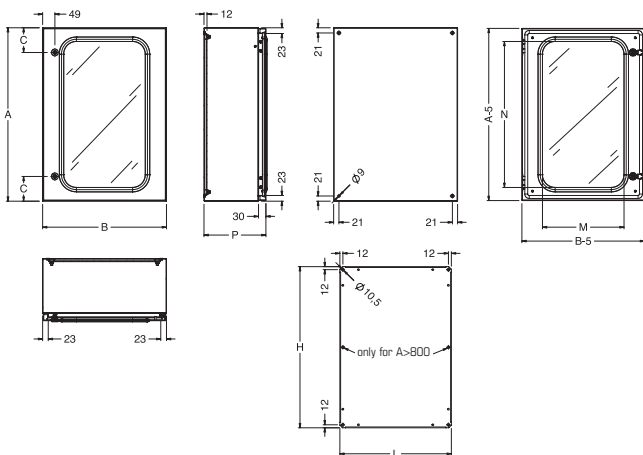


**STAINLESS STEEL BOX WITH DOUBLE BLANK DOOR**

STX CODE	BOX DIMENSIONS			MOUNTING PLATE DIMENSIONS	
	B	A	P	L	H
STX10-1030	1000	1000	300	950	950
STX10-1230	1000	1200	300	950	1150

To order a stainless steel enclosure in high grade AISI 316L, add the suffix "H" to the product code. I.E.: STX10-1030H. Available on request.

# STPX STAINLESS STEEL



## STAINLESS STEEL BOX WITH GLAZED DOOR - STPX

### CHARACTERISTICS

Enclosure manufactured from 15/10 AISI 304L material (AISI 316L on request).

Door manufactured from 15/10 AISI 304L material (AISI 316L on request) with plexiglas viewing window.

Flat mounting plate manufactured from 25/10 sendzimir sheet steel. Hinges in stainless steel.

### DELIVERY

Box complete with:

- mounting plate
- gland plate with sealing gasket
- locking system body in zinc alloy
- lever in stainless steel with  $\varnothing 3$  mm double bar key
- package with hardware for earth connection and screws for mounting plate

### CONFORMITY AND APPROVAL



RINA

### PROTECTION RATINGS

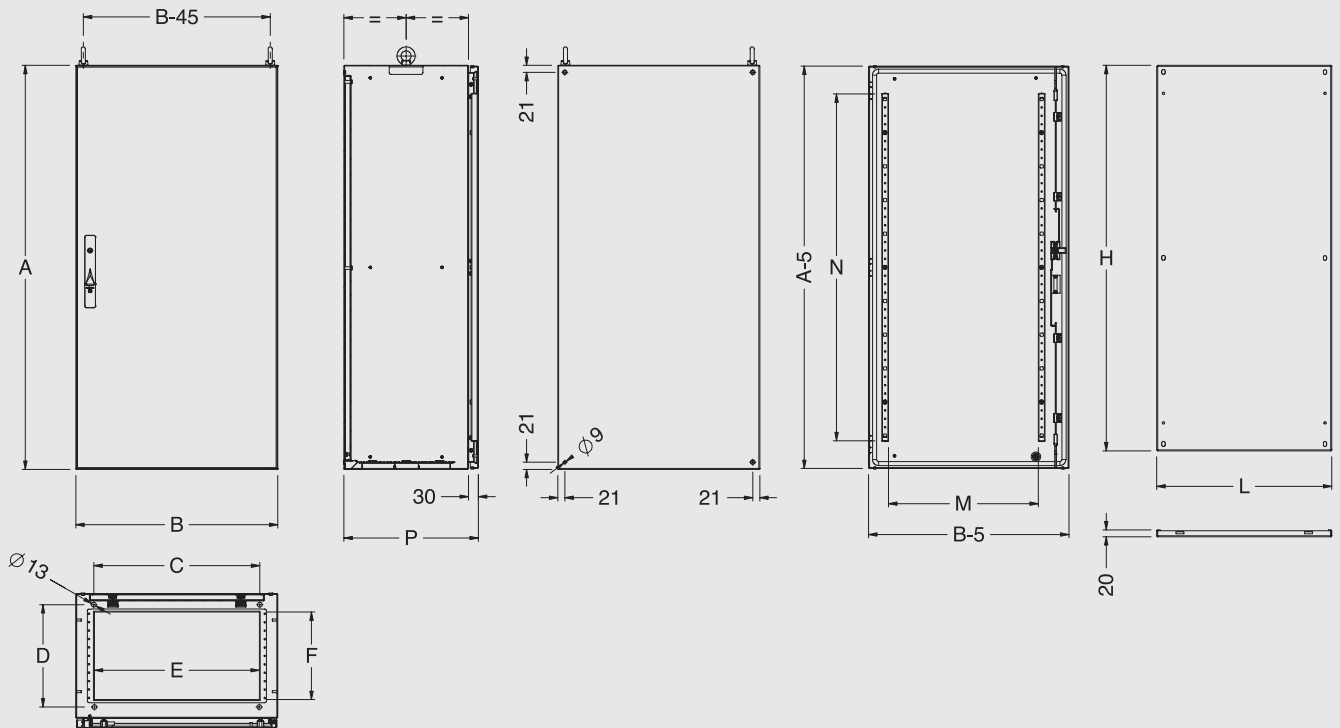
- IP 66 complying with IEC EN62208; EN60529
- NEMA 12 complying with UL508A; UL50
- impact resistance IK10 complying with IEC EN62208; EN50102.

## STAINLESS STEEL BOX WITH GLAZED DOOR

STPX CODE	BOX DIMENSIONS				DOOR SPACE		PLATE DIM.		NR. OF LOCKS
	B	A	P	C	M	N	L	H	
STPX3-420	300	400	200	200	160	285	250	350	1
STPX4-520	400	500	200	250	260	385	350	450	1
STPX4-620	400	600	200	100	260	485	350	550	2
STPX5-725	500	700	250	100	360	585	450	650	2
STPX6-820	600	800	200	100	460	685	550	750	2
STPX6-825	600	800	250	100	460	685	550	750	2

To order a stainless steel enclosure in high grade AISI 316L, add the suffix "H" to the product code. I.E.: STPX4-620H. Available on request.

## CS STAINLESS STEEL SINGLE BLANK DOOR

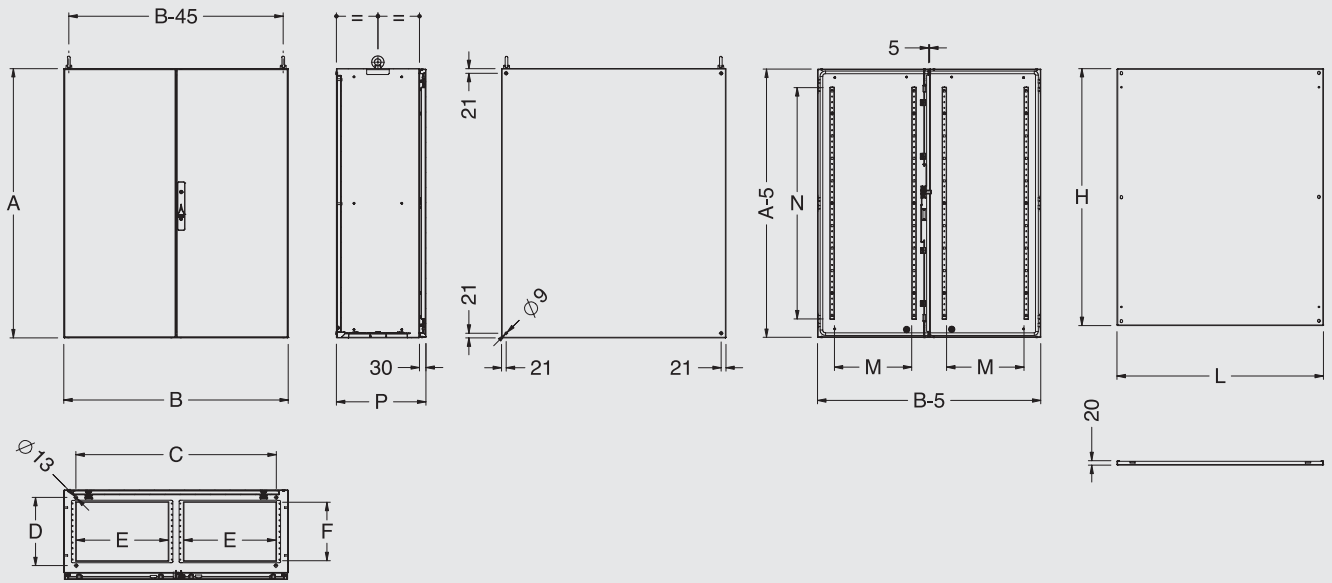


## DIMENSIONAL SPECIFICATIONS

CODE CSX	CABINET DIMENSIONS			FLOOR FIXING		CABLE ENTRY		DOOR SPACE		MOUNT. PLATE DIM.	
	B	A	P	C	D	E	F	M	N	L	H
CSX6-1240	600	1200	400	493	304	490	260	445	1030	520	1145
CSX6-1430	600	1400	300	493	204	490	160	445	1230	520	1345
CSX6-1440	600	1400	400	493	304	490	260	445	1230	520	1345
CSX8-1240	800	1200	400	693	304	690	260	545	1030	720	1145
CSX8-1430	800	1400	300	693	204	690	160	545	1230	720	1345
CSX8-1440	800	1400	400	693	304	690	260	545	1230	720	1345

To order a stainless steel enclosure in high grade AISI 316L, add the suffix "H" to the product code. I.E.: CSX6-1240H.

## CS STAINLESS STEEL DOUBLE BLANK DOOR



### DIMENSIONAL SPECIFICATIONS

CODE CSX	CABINET DIMENSIONS			FLOOR FIXING		CABLE ENTRY		DOOR SPACE		MOUNT. PLATE DIM.	
	B	A	P	C	D	E	F	M	N	L	H
CSX10-1240	1000	1200	400	893	304	410	260	345	1030	920	1145
CSX10-1430	1000	1400	300	893	204	410	160	345	1230	920	1345
CSX10-1440	1000	1400	400	893	304	410	260	345	1230	920	1345
CSX12-1240	1200	1200	400	1093	304	510	260	445	1030	1120	1145
CSX12-1430	1200	1400	300	1093	204	510	160	445	1230	1120	1345
CSX12-1440	1200	1400	400	1093	304	510	260	445	1230	1120	1345

To order a stainless steel enclosure in high grade AISI 316L, add the suffix "H" to the code. I.E.: CSX12-1240H.