

# ATB8 STAINLESS STEEL

## ATB8



### CHARACTERISTICS

Structure manufactured from 15/10 AISI 304L material with removable rear panel.

Door manufactured from 20/10 AISI 304L material with stiffening frame.

Item available in AISI 316L on request.

Hinges in zinc alloy, chrome plated.

### DELIVERY

- cabinet structure
- door complete with  $\varnothing$  3mm double bar locking system
- adjustable cable entry
- mounting plate manufactured from 25/10 sendzimir sheet steel (for  $W \geq 1000$  mounting plate manufactured from 30/10 sendzimir sheet steel)

### CONFORMITY AND APPROVAL



RINA

### PROTECTION RATINGS

- IP 66 complying with IEC EN62208; EN60529
- NEMA 12 complying with UL508A; UL50
- impact resistance IK10 complying with IEC EN62208; EN50102.

### MAIN ACCESSORIES

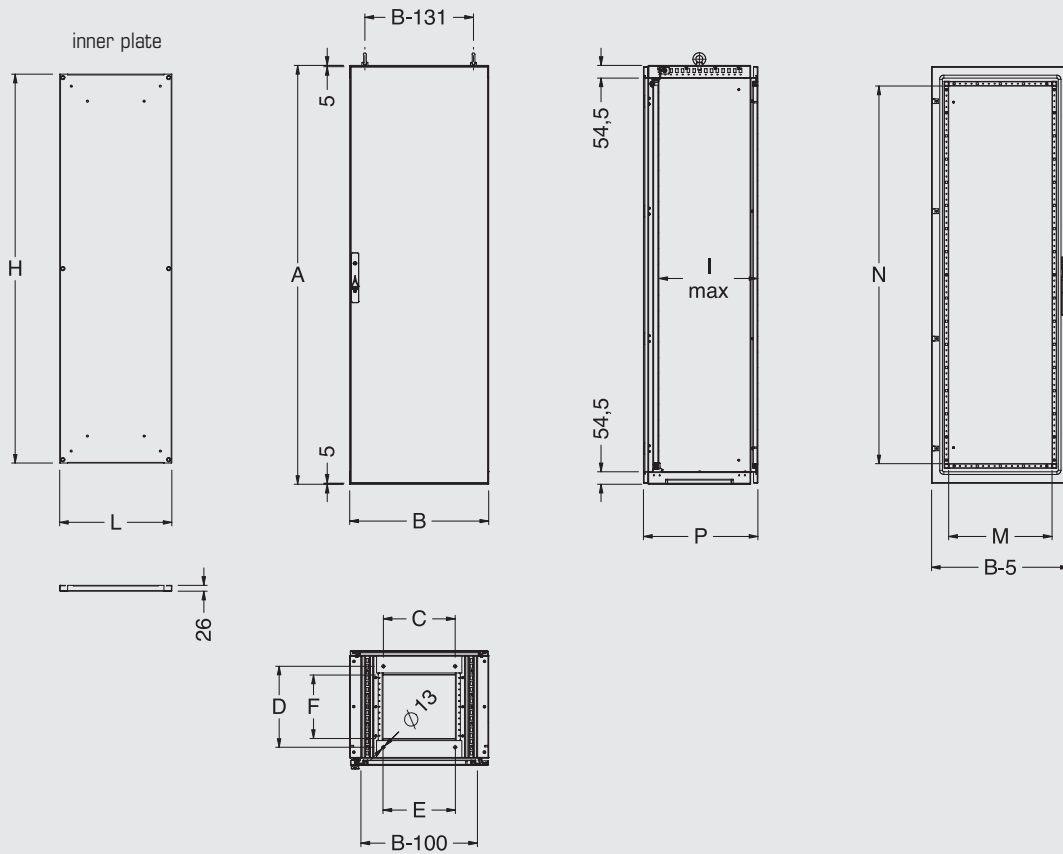


ATZX modular plinth (see page 195)



eyebolts (see page 195)

**ATB8 STAINLESS STEEL SINGLE BLANK DOOR**

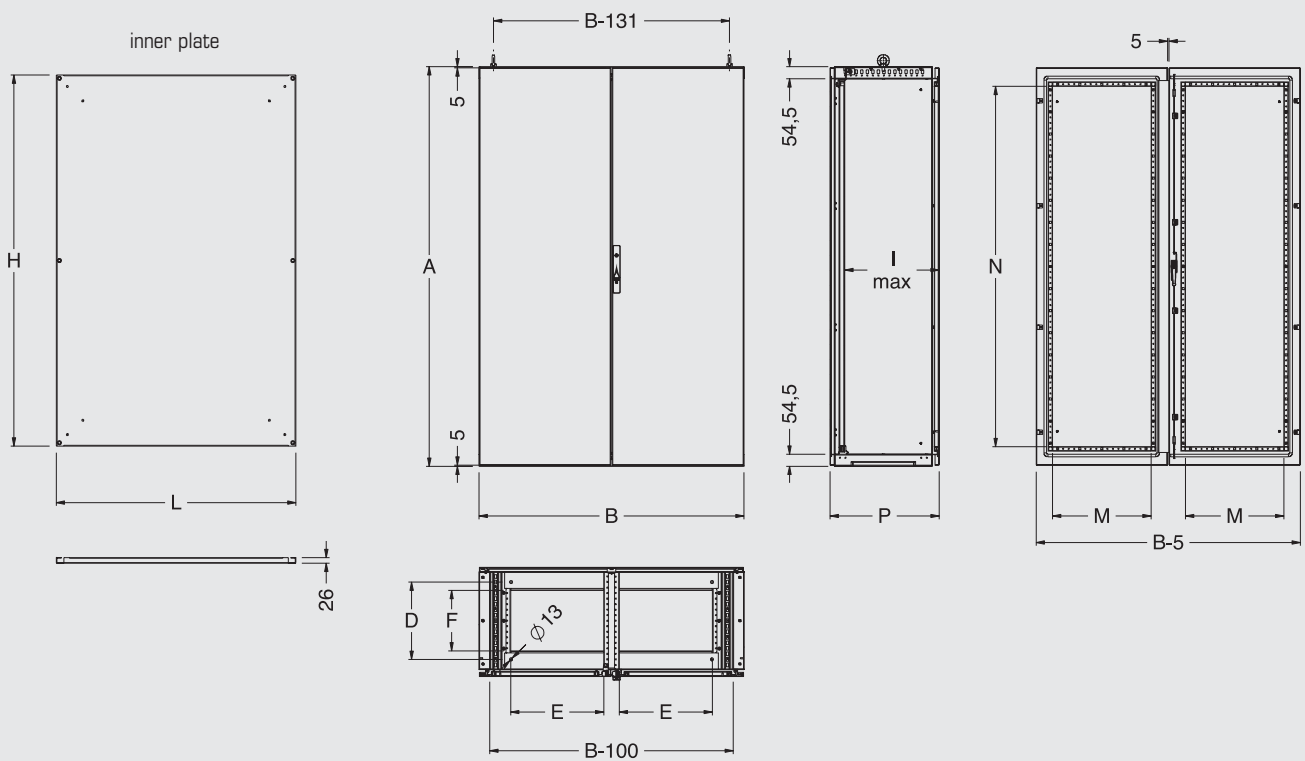


**ATB8 STAINLESS STEEL SINGLE BLANK DOOR**

ATB8X CODE	CABINET DIMENSIONS			FLOOR FIXING		CABLE ENTRY		DOOR SPACE		PLATE DIM.		
	B	A	P	C	D	E	F	M	N	L	H	I (MAX)
ATB8X-061604PR	600	1609	395	310	250	313	174	445	1430	485	1480	350
ATB8X-061804PR	600	1809	395	310	250	313	174	445	1630	485	1680	350
ATB8X-061805PR	600	1809	495	310	350	313	274	445	1630	485	1680	450
ATB8X-062004PR	600	2009	395	310	250	313	174	445	1830	485	1880	350
ATB8X-062005PR	600	2009	495	310	350	313	274	445	1830	485	1880	450
ATB8X-081604PR	800	1609	395	510	250	513	174	645	1430	685	1480	350
ATB8X-081804PR	800	1809	395	510	250	513	174	645	1630	685	1680	350
ATB8X-081805PR	800	1809	495	510	350	513	274	645	1630	685	1680	450
ATB8X-082004PR	800	2009	395	510	250	513	174	645	1830	685	1880	350
ATB8X-082005PR	800	2009	495	510	350	513	274	645	1830	685	1880	450
ATB8X-101804PR	1000	1809	395	710	250	713	174	845	1630	885	1680	350
ATB8X-102004PR	1000	2009	395	710	250	713	174	845	1830	885	1880	350

To order a stainless steel enclosure in high grade AISI 316L, add the suffix "H" to the code.  
 I.E.: ATB8X-062005PRH. Available on request.

# ATB8 STAINLESS STEEL DOUBLE BLANK DOOR



## ATB8 STAINLESS STEEL DOUBLE BLANK DOOR

ATB8X CODE	CABINET DIMENSIONS			FLOOR FIXING		CABLE ENTRY		DOOR SPACE		PLATE DIM.		
	B	A	P	C	D	E	F	M	N	L	H	I (MAX)
ATB8X-121804PR	1200	1809	395	910	250	421	174	445	1630	1085	1680	350
ATB8X-121805PR	1200	1809	495	910	350	421	274	445	1630	1085	1680	450
ATB8X-122004PR	1200	2009	395	910	250	421	174	445	1830	1085	1880	350

To order a stainless steel enclosure in high grade AISI 316L, add the suffix "H" to the code.  
 I.E.: ATB8X-122004PRH. Available on request.