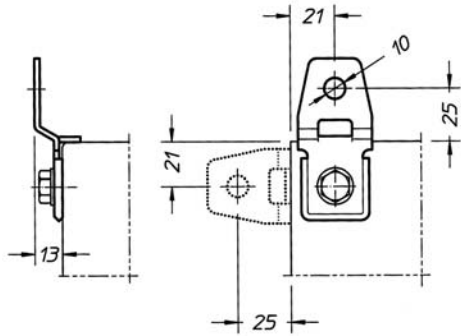


WALL MOUNTING BRACKETS SDWC-010

Manufactured from 25/10 zincpassivated sheet steel.
Supply includes: nr. 4 pieces.

**CABLE ENTRY GLAND PLATE WC****CHARACTERISTICS**

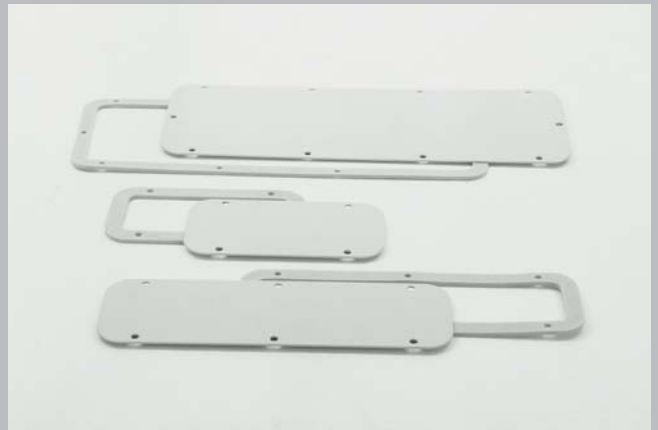
Manufactured from 15/10 sheet steel.

PAINT FINISH

Colour: RAL 7035 textured finish

DELIVERY

Supply includes nr. 1 piece with sealing gasket and mounting accessories.

**CABLE ENTRY GLAND PLATE**

| WC CODE | PLATE DIMENSIONS |
|---------|------------------|
| WC016B | 158 X 78 |
| WC018B | 258 X 78 |
| WC019B | 258 X 128 |
| WC020B | 358 X 128 |
| WC022B | 558 X 128 |

NEW**FINNED CABLE ENTRY PLATES WC ... A****CHARACTERISTICS**

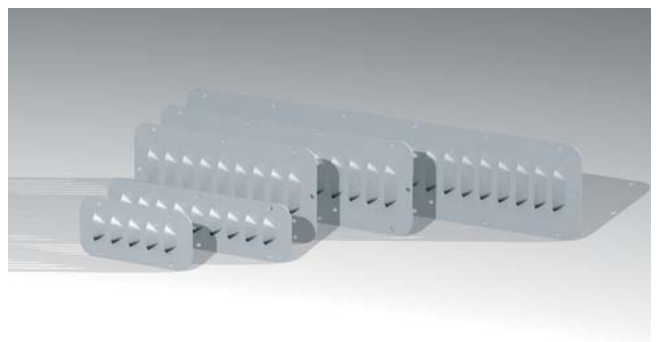
Manufactured from 15/10 sheet steel.

PAINT FINISH

Colour: RAL 7035 textured finish

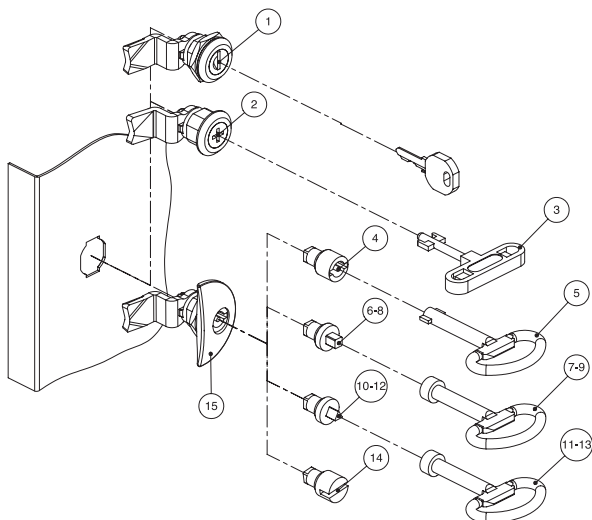
DELIVERY

Supply includes nr. 1 piece complete with seals and mounting accessories.

**FINNED CABLE ENTRY PLATES**

| WC CODE | PLATE DIMENSIONS |
|---------|------------------|
| WC016A | 158 X 78 |
| WC018A | 258 X 78 |
| WC019A | 258 X 128 |
| WC020A | 358 X 128 |
| WC022A | 558 X 128 |

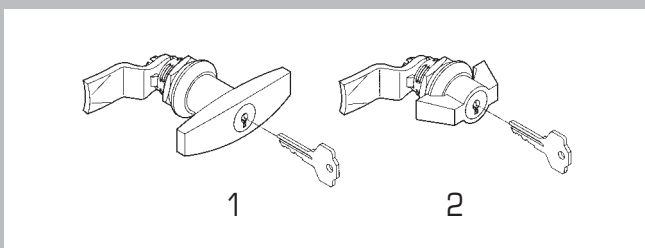
Available on request.



LOCKING SYSTEMS WE

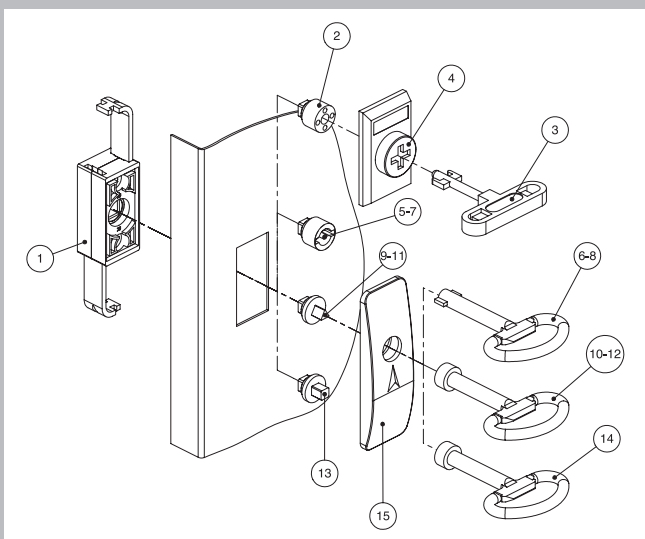
| WE CODE | REF. | DESCRIPTION |
|---------|------|---------------------|
| *WE235 | 1 | VIRO INSERT |
| *WE240 | 2 | FIAT INSERT |
| WE210 | 3 | FIAT KEY |
| WE255 | 4 | ETA INSERT Ø 3 |
| WE160 | 5 | ETA KEY Ø 3 |
| WE260 | 6 | INSERT ∅ 6 |
| WE263 | 7 | KEY ∅ 6 |
| WE265 | 8 | INSERT ∅ 7 |
| WE268 | 9 | KEY ∅ 7 |
| WE270 | 10 | INSERT ∅ 6,5 |
| WE273 | 11 | KEY ∅ 6,5 |
| WE275 | 12 | INSERT ∅ 8 |
| WE278 | 13 | KEY ∅ 8 |
| WE280 | 14 | SCREW DRIVER INSERT |
| WE250 | 15 | LOCK |

*Including cam and locking cover.



LOCKING SYSTEMS WE

| WE CODE | REF. | DESCRIPTION |
|---------|------|--------------------------|
| WE285 | 1 | T HANDLE WITH KEYLOCK |
| WE288 | 2 | WING HANDLE WITH KEYLOCK |

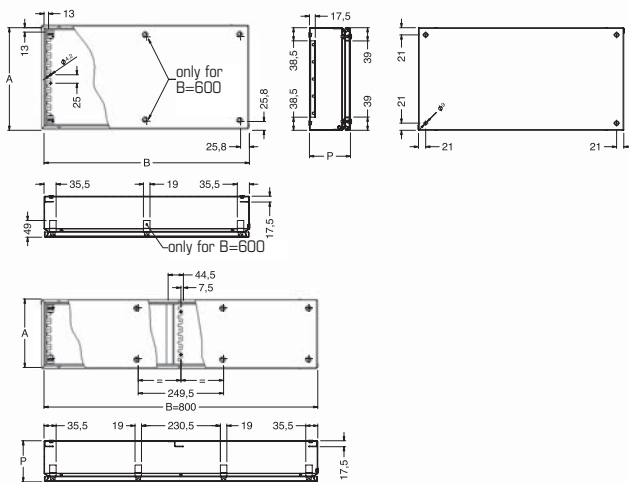


LOCKING SYSTEMS FOR DOUBLE DOOR BOXES WITH ROD MECHANISM

| WE CODE | REF. | DESCRIPTION |
|---------|------|----------------|
| WE010 | 1 | ROD DRIVE |
| WE080 | 2 | FIAT INSERT |
| WE210 | 3 | FIAT KEY |
| WE027 | 4 | FIAT COVER |
| WE030 | 5 | ETA INSERT Ø 3 |
| WE160 | 6 | ETA KEY Ø 3 |
| WE040 | 7 | ETA INSERT Ø 5 |
| WE170 | 8 | ETA KEY Ø 5 |
| WE050 | 9 | INSERT ∅ 7 |
| WE180 | 10 | KEY ∅ 7 |
| WE060 | 11 | INSERT ∅ 8 |
| WE190 | 12 | KEY ∅ 8 |
| WE070 | 13 | INSERT ∅ 7 |
| WE200 | 14 | KEY ∅ 7 |
| WE020 | 15 | ETA COVER |

SD TERMINAL BOXES

SDV TERMINAL BOXES WITH SCREWED LID



To be ordered separately:
- mounting plate and/or DIN rails.

CHARACTERISTICS/DELIVERY

- Box manufactured from 12/10 sheet steel.
- lid fixed with captive screws
- holes for fixing hinges.

PAINT FINISH

- ETA standard epoxy polyester powder coating.
- Colour: RAL 7035 textured finish.

CONFORMITY AND APPROVAL



RINA

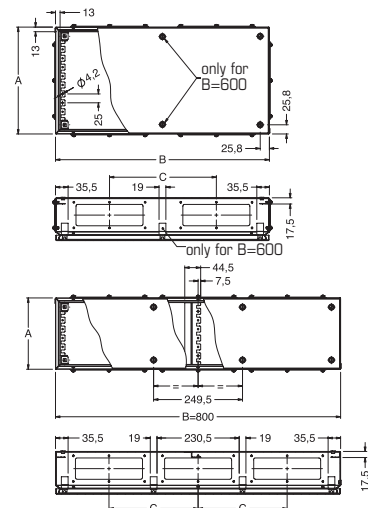
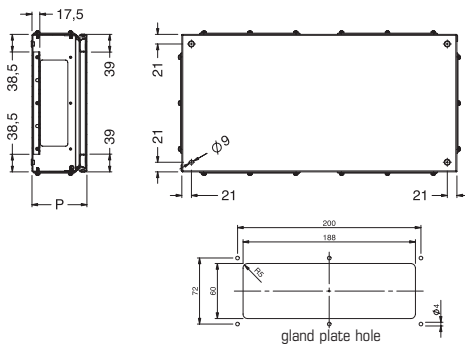
PROTECTION RATINGS

- IP 66 complying with IEC EN62208; EN60529
- NEMA 4 complying with UL508A; UL50
- protection degree guaranteed by the two-component polyurethane foam seal (for technical details, refer to page 260)
- impact resistance IK10 complying with IEC EN62208; EN50102 .

TERMINAL BOXES

| SDV CODE | BOX DIMENSIONS | | |
|-------------|----------------|-----|-----|
| | B | A | P |
| SDV1108 | 150 | 150 | 80 |
| SDV2208 | 200 | 200 | 80 |
| SDV3208 | 300 | 200 | 80 |
| SDV4208 | 400 | 200 | 80 |
| SDV5208 | 500 | 200 | 80 |
| SDV6208 | 600 | 200 | 80 |
| SDV8208 | 800 | 200 | 80 |
| SDV1112 | 150 | 150 | 120 |
| SDV2212 | 200 | 200 | 120 |
| SDV3112 | 300 | 150 | 120 |
| SDV3212 | 300 | 200 | 120 |
| SDV3312 | 300 | 300 | 120 |
| SDV4212 | 400 | 200 | 120 |
| SDV4312 | 400 | 300 | 120 |
| SDV4412 | 400 | 400 | 120 |
| SDV5212 | 500 | 200 | 120 |
| SDV5312 | 500 | 300 | 120 |
| SDV6212 | 600 | 200 | 120 |
| SDV6312 | 600 | 300 | 120 |
| SDV6412 | 600 | 400 | 120 |
| SDV8212 | 800 | 200 | 120 |
| SDV8412 | 800 | 400 | 120 |

SDF TERMINAL BOXES WITH GLAND PLATES



CHARACTERISTICS/DELIVERY

Box manufactured from 12/10 sheet steel with gland plates complete with gasket
 - lid fixed with captive screws
 - holes for fixing hinges.

PAINT FINISH

ETA standard epoxy polyester powder coating.
 Colour: RAL 7035 textured finish.

CONFORMITY AND APPROVAL



PROTECTION RATINGS

- IP 66 complying with IEC EN62208; EN60529
- NEMA 4 complying with UL508A; UL50
- protection degree guaranteed by the two-component polyurethane foam seal (for technical details, refer to page 260)
- impact resistance IK10 complying with IEC EN62208; EN50102.

TERMINAL BOXES WITH GLAND PLATES

| SDF CODE | B | DIMENSIONS | | | TOTAL NR. OF GLAND PLATES | NR. OF GLAND PLATES – SIDE "B" | NR. OF GLAND PLATES – SIDE "A" |
|----------|-----|------------|-----|-----|---------------------------|--------------------------------|--------------------------------|
| | | A | C | P | | | |
| SDF3212 | 300 | 200 | - | 120 | 2 | 2 | - |
| SDF3312 | 300 | 300 | - | 120 | 4 | 2 | 2 |
| SDF4212 | 400 | 200 | - | 120 | 2 | 2 | - |
| SDF4312 | 400 | 300 | - | 120 | 4 | 2 | 2 |
| SDF4412 | 400 | 400 | - | 120 | 4 | 2 | 2 |
| SDF5212 | 500 | 200 | 130 | 120 | 4 | 4 | - |
| SDF5312 | 500 | 300 | 130 | 120 | 6 | 4 | 2 |
| SDF6212 | 600 | 200 | 150 | 120 | 4 | 4 | - |
| SDF6312 | 600 | 300 | 150 | 120 | 6 | 4 | 2 |
| SDF6412 | 600 | 400 | 150 | 120 | 6 | 4 | 2 |
| SDF8212 | 800 | 200 | 150 | 120 | 6 | 6 | - |
| SDF8412 | 800 | 400 | 150 | 120 | 8 | 6 | 2 |

To be ordered separately:
 - mounting plate and/or DIN rails.

SDVX TERMINAL BOXES WITH TRANSPARENT LID



CHARACTERISTICS/DELIVERY

Box manufactured from 12/10 sheet steel.
- hinged lid with captive screws and plexiglas for viewing.

PAINT FINISH

ETA standard epoxy polyester powder coating.
Colour: RAL 7035 textured finish.

PROTECTION RATINGS

- IP 55.

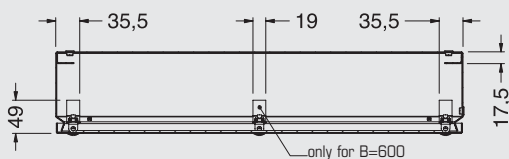
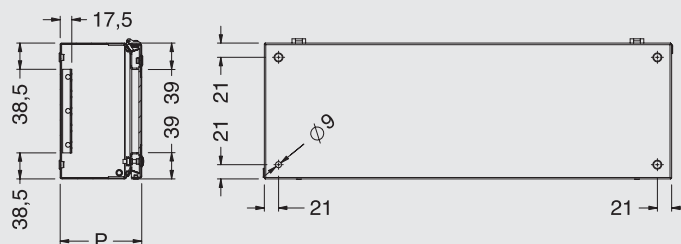
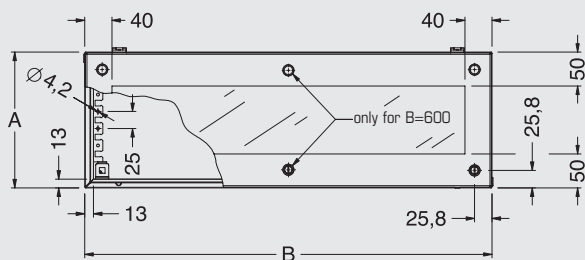
CONFORMITY AND APPROVAL



TERMINAL BOXES WITH TRANSPARENT LID

| SDV CODE | DIMENSIONS | | | WEIGHT |
|----------|------------|-----|-----|--------|
| | B | A | P | KG. |
| SDVX4212 | 400 | 200 | 120 | 3.3 |
| SDVX6212 | 600 | 200 | 120 | 4.5 |

To be ordered separately:
- mounting plate and/or DIN rails.



SDVX-B TERMINAL BOXES FOR BUS SYSTEMS

NEW

CHARACTERISTICS/DELIVERY

Boxes made of 12/10 sheet steel.
- hinged cover with tamper-proof screwed closure and plexiglas for internal inspection.

PAINT FINISH

ETA standard epoxy polyester powder coating.
Colour: RAL 7035 textured finish.

PROTECTION RATINGS

- IP 55.

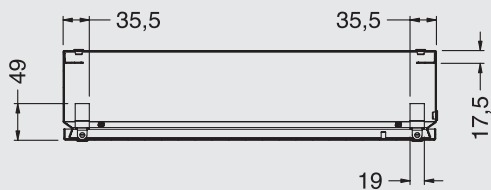
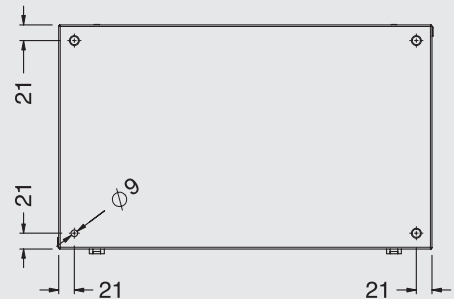
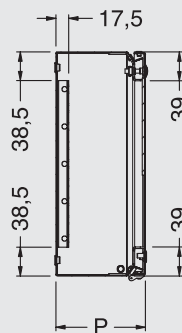
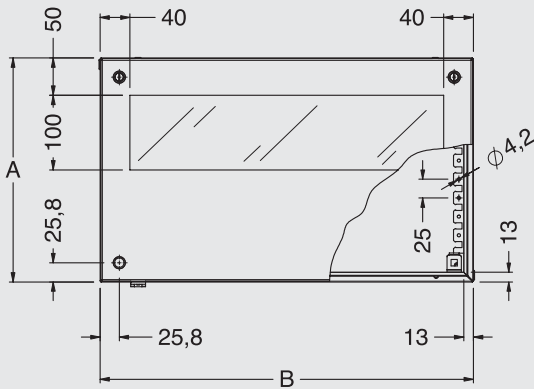
CONFORMITY AND APPROVAL



TERMINAL BOX FOR BUS SYSTEMS

| SDVX CODE | BOX DIMENSIONS | | |
|--------------|----------------|-----|-----|
| | B | A | P |
| SDVX5312B | 500 | 300 | 120 |

To be ordered separately:
- mounting plate and/or DIN rails.



SDP TERMINAL BOXES WITH DOOR



CHARACTERISTICS/DELIVERY

Box manufactured from 12/10 sheet steel.
 Door manufactured from 15/10 sheet steel.
 - locking system with \varnothing 3mm double bar key.

PAINT FINISH

ETA standard epoxy polyester powder coating.
 Colour: RAL 7035 textured finish.

PROTECTION RATINGS

- IP 55.

TERMINAL BOXES WITH DOOR

| SDP CODE | DIMENSIONS | | | WEIGHT KG. |
|----------|------------|-----|-----|---------------|
| | B | A | P | |
| SDP2208 | 200 | 200 | 80 | 1.8 |
| SDP2308 | 200 | 300 | 80 | 2.4 |
| SDP2408 | 200 | 400 | 80 | 3 |
| SDP2212 | 200 | 200 | 120 | 2.5 |
| SDP2312 | 200 | 300 | 120 | 2.8 |
| SDP2412 | 200 | 400 | 120 | 3.5 |
| SDP2512 | 200 | 500 | 120 | 4.1 |
| SDP3312 | 300 | 300 | 120 | 3.8 |
| SDP3412 | 300 | 400 | 120 | 4.5 |

To be ordered separately:
 - mounting plate and/or DIN rails.

